

THANK YOUR FOR USERS

Thank you for purchasing RADIOTRAC POC mobile radio, RADIOTRAC products will always provides you with reliable, clear and high-efficiency communication services. Please read this Manual carefully and completely before using the transceiver, so that you can fully understand the performance, operating method and maintenance. Thank you.

Notices to the Users

- Do not attempt to operate your transceiver while driving, it is simply too dangerous.
- Do not operate the transceiver when you are nearby the blast area or blasting cap.
- Please switch off the transceiver when you are refueling or parking at the gas station.
- Please switch off the transceiver to avoid the problems caused by EMI and EMC, when you are in a place with a sign "Please switch off your transceiver".
- Do not modify the transceiver for any reason.
- Do not expose the transceiver to long periods of direct sunlight nor place it close to heating appliances.
- Do not place the transceiver in excessively dusty, humid or wet areas, or on unstable surfaces.
- Do not attempt to dismantle the transceiver unless professional technical personnel.
- Please use the designated antenna and power cable.

Ready to use the Mobile Perform the following steps to assemble your Mobile.

Install the SIM card

1. Open the SIM card slot.
2. Place the SIM card into the slot with right direction. 3. Lock the SIM card slot.

Note:
Turn off the mobile before you inserting or removing the SIM card. Avoid touching the metallic area of the SIM card to prevent loss or damage to the information in the card and place it away from electromagnetic fields.

Install the main Antenna and GPS antenna

Power of the mobile, insert the antenna into the specified mounting hole and turn it clockwise, until tighten.

Install the Power supply cable

Insert the DC port of the power cable into the Power interface of the mobile; Insert the cigarette lighter port to your car's cigarette lighter.

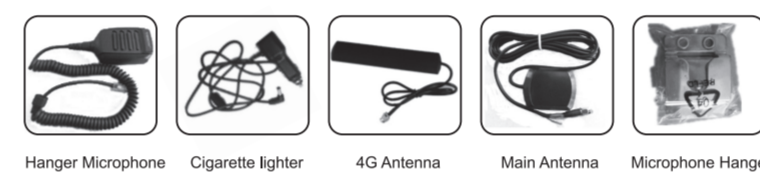
Install the Suction cup holder Pull up the handle on the back of the holder, put the holder on the place which you want to install, press down the holder to push out the air, then Pull down the handle of the holder. You can adjust the angle of the mobile by clockwise rotate the two screws of the holder, then fix the mobile angle by anticlockwise rotate the screws.

Install the Microphone Insert the Microphone crystal port into the Expansion interface. Please mind the direction of the Microphone crystal port.

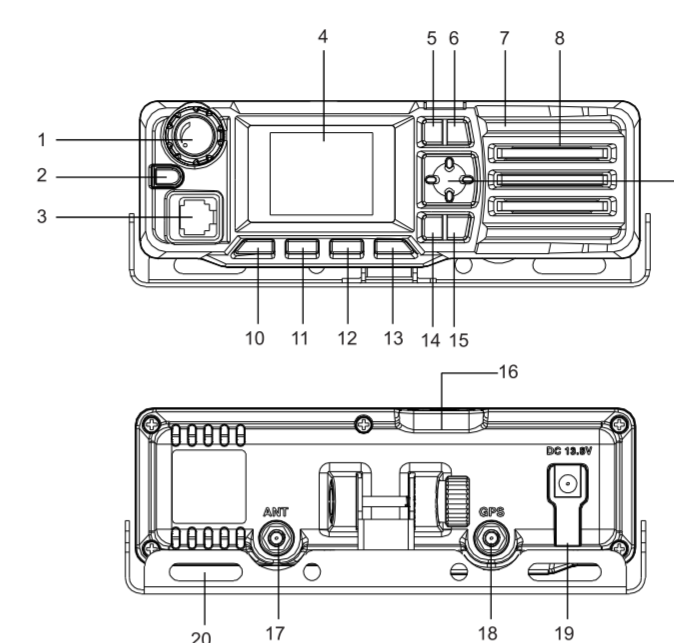
Main Features

- ▶ Main Features
- ▶ Unlimited Talking Distance
- ▶ SIM card support GSM/WCDMA/LTE
- ▶ 1.77 Inch Colorful Display
- ▶ LCD Backlight & Brightness Selective
- ▶ Alphanumeric LCD Display Mode
- ▶ GPS Functional Optional
- ▶ Functional Dispatching System
- ▶ Compact & Heavy-duty Design
- ▶ All Call, Group Call & Individual Call
- ▶ Super Clear and Powerful Audio Output
- ▶ Content playback
- ▶ Dispatch Control

Standard Accessories



Radio Overview



1. Knob: turn the volume counterclockwise +, rotate the volume clockwise -
2. Power Button: Press and hold the button 3 seconds to power on/off
3. Expansion interface: external extension interface such as link hand microphone accessory
4. LCD Display:
5. UP Button: Short press, choose the functions upward; Under the PTT screen, press UP button to enter APK setting;

6. Status Indicator;
7. DW Button: Short press the DW button, choose the functions downward; Under the PTT screen, press DW enter the group list;
8. Speaker;
9. OK button: confirm/selected button;
10. Lock screen button: Short press on/off screen, press and hold for more than 3 seconds to lock/unlock the keyboard;
11. Single call button: enter the member list;
12. Group call button: short press to enter the group list, long-press to switch groups;
13. HOME button: Quickly return to the home page;
14. MENU button: Enter system settings;
15. Return key: return to the previous menu, no effect under the main menu; short press to exit; the temporary intercom group during the temporary intercom mode;
16. SIM card slot;
17. Antenna interface: connect the main antenna;
18. GPS antenna interface: connect GPS antenna;
19. Power interface: connect the 13.8V car charging source;
20. Mounting bracket

LED Indication

Power on status	Network status indication
Power on: press the power button, the green light is always on for 5 seconds and then off.	The red light flashes quickly: 1. SIM card is not activated or rearrange, the terminal cannot register to the wireless network; 2. The quality of the wireless network is very poor, and the terminal cannot register;
Three states: 1. Flashing once (1 second), 2. Slow flash (once every 3 seconds), 3. Long bright	The red light is always on: 1. The SIM card is not installed or the SIM card is installed incorrectly, and the voice prompt "Mobile phone card reading failed"; 2. The device is not configured to be added on the service server. 3. Device has been added, group selector knob group mapping was not successful; 4. SIM card PIN code failed to be unlocked, voice prompt "PIN code error";
	Flashing green light: Registering network status; The green light flashes slowly: the network has been successfully registered and entered the standby state;
Power on status	The green light is bright: Call status (single call/group call/temporary group)

Login in APP

Press and hold the power button for 3 seconds to turn on the power. The green light flashes when the radio is turned on.

- (1) If the account information is detected, the intercom will be lit up with an emerald green light. After the automatic login, the intercom has a voice prompt.
- (2) If the account information is not detected, please "configure account information".
- (3) If the prompt "Network is not available, please check the network configuration", please check whether the SIM card in the machine has expired, or whether the account is activated;
- (4) If there is no card prompt icon at the top or the message "Network is not available", please check if the card is inserted, or if the card is inserted properly;
- (5) SIM card: To confirm with your agent for the details.
- (6) APP: RADIOTRAC

If the account settings are incorrect, you can manually set the account information by using the management platform. After successfully logging in to the account, you can use the PTT function.

Operation

After successfully login in:

Basic Operations

1. Turn the volume counterclockwise to increase volume, rotate the volume clockwise to decrease the volume
2. When screen is on, press the power button for 3 seconds, and a prompt box will pop up, select to shut down or restart;
3. When screen is on, short press the lock button to enter the screen-off state. Similarly, short press the lock screen button to wake up the screen when the screen is off. If you press and hold the lock screen button, enter the lock screen and unlock the screen;

4. When screen is on, press the MENU button to enter the system settings list, press the UP button or the DW button to set or view the network settings, wireless network, Bluetooth, location, sound, and phone status;
5. When screen is on, press the UP button to enter the APK settings list, you can set up or view personal information, voice call settings, sleep mode, intercom calls processing, temporary intercom, intercom bright screen settings, about, exit;

6. Press the group call button to enter the group list or under the intercom interface, press the DW button to enter the group list, and then press the UP button or the DW button to select a certain group.
-6.1. The first way: If you short press the OK button or the power button to enter the member list, press the navigation button UP button or DW button to select an online account. Method 1: Press the hand microphone PTT button to initiate a temporary intercom, after the other party answers, you can start the call, press the back button (OK button or power button) again to exit the temporary intercom group. Method 2: press the OK button or the power button to enter the dialing interface, press the OK button or the power button again to initiate a voice call, and the other party answers. After that, you can start the call, and press the back button (OK button or power button) again to exit the voice call.
-6.2. The second way: Press and hold the OK button to enter the selected group; 7. Press the single call button to enter the member list, press the UP button or the DW button to select an online account. Method 1: Press the hand microphone PTT button to initiate a temporary intercom. After the other party answers, you can start the call, and press the back button again, OK button or power button) Exit the temporary intercom group; Method 2: Press the OK button or the power button to enter the dialing interface, press the OK button or the power button again to initiate a voice call. After the other party answers, you can start the call and press the button again. The key (OK or power button) exits the voice call;

Menu function options

Press the navigation keys to select the following 3 modes: RADIOTRAC, SMS, Settings;
a. used to intercom related operations;
b. Settings (system settings): Press and hold the UP and DOWN keys to set or view network settings.

Establish a wireless connection Wireless data WLAN connection (Optional)

1. Under the system setting interface, press the UP button or the DW button to the wireless network and click the OK button or the power button to enter the wireless network mode. At this time, you can set up to connect to the wireless network.
2. Under the wireless network setting interface, press the OK button or the power button to turn on the wireless network. On the interface, you will see "Connected network/Available network nearby/Configured network". Go to the nearby available web interface and the walkie-talkie will list the wireless devices in the search range.
3. Press the UP or DW button to select the network you want to connect to, enter the correct password, and press OK to confirm the connection.

Wireless data Bluetooth connection (Optional)

1. On the Home screen, choose Settings (System Settings) > Bluetooth.
 2. Enter the Bluetooth settings interface, press the OK button or the power button to turn on the Bluetooth switch. The walkie-talkie will list the Bluetooth devices in the search range.
 3. UP or DW to select the device you want to connect, OK or power button to confirm the connection.
- If your open detection is set On, the other party can also search Bluetooth device.
• On the interface to enter the wireless password, the group call button can be used to switch the input method.

Specifications

Items	Details
Modem	Qualcomm MSM8909
Technology	A7
Basic Frequency	1GHz
Operation system	Android based OS(5.1.1)
Network Frequency	<ul style="list-style-type: none"> ■ GSM:Band2/3/5/8 ■ WCDMA:Band1/2/5/8 ■ TDD-LTE:Band38/40 ■ FDD-LTE:Band1/2/3/5/7/8/20/28
LTE CAT 4	TDD CAT4,FDD CAT4
Screen Size(inch)	1.77 Inch
Screen Resolution	128X160
Dimensions (without antenna)	170mmX54mmX39
Weight (including batter and antenna)	About 200g
Memory	ROM 4G RAM 4GB LPDDR3
Voice	MIC External Speaker Support MIC Support
Antenna	Main Antenna - External. Auxiliary antenna-FPC GPS/BO antenna - External
Mounting bracket	YES